

Service Trolleys

4 Dishwasher Rack Trolley with Top Shelf

ITEM # _____

MODEL # _____

NAME # _____

SIS # _____

AIA # _____



361246 (SCCT094)

4-dishwasher basket trolley
with top

Short Form Specification

Item No. _____

Constructed in 304 AISI stainless steel. Framework in mm25 tubing, completely welded. The L-shaped runners, with an upturn at each end, can accommodate mm500x500 dishwashing baskets. The handle is an extension of the load-bearing frame. Fitted with worktop. N. 4 swivelling castors, two with brakes, mm125 in diameter, fitted with plastic bumpers.

Main Features

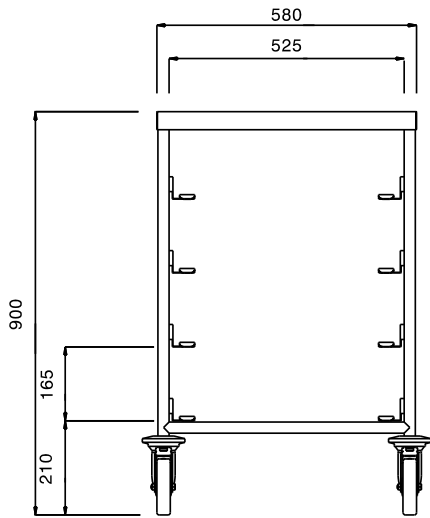
- Framework in 25 mm tubing, completely welded.
- L-shaped runners, with upturn at each end.
- Designed to transport 500x500 mm dishwashing baskets.
- Handle is an extension of the load-bearing frame.
- 4 pivoting Ø 125 mm wheels, 2 of which with brakes, fitted with plastic bumpers

Construction

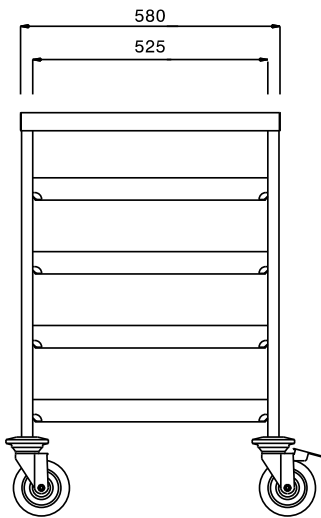
- Constructed entirely in 304 AISI stainless steel.

APPROVAL: _____

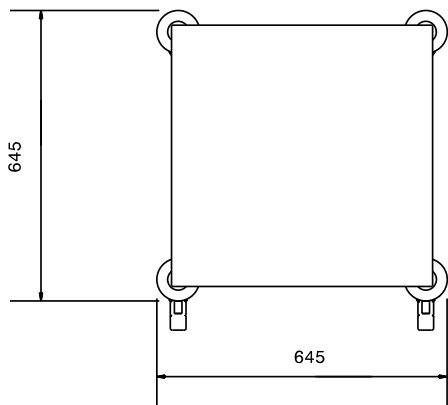
Front



Side



Top



Key Information:

External dimensions, Width:

361246 (SCCT094) 645 mm

External dimensions, Depth: 645 mm

External dimensions, Height: 900 mm

Wheel material: Zinc plated

Wheel diameter: Ø 125

Net weight: 20 kg